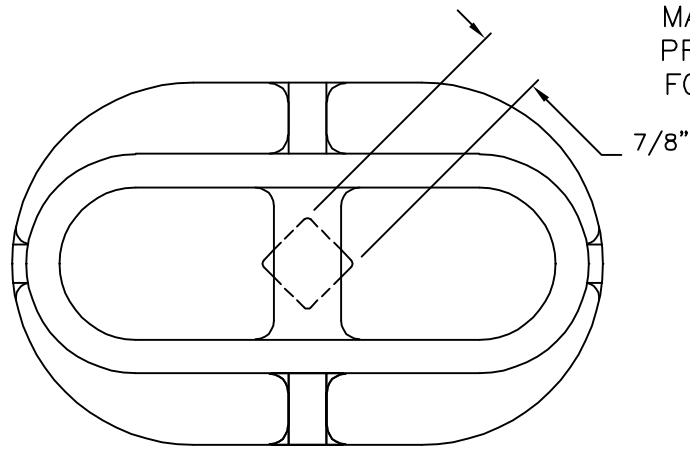
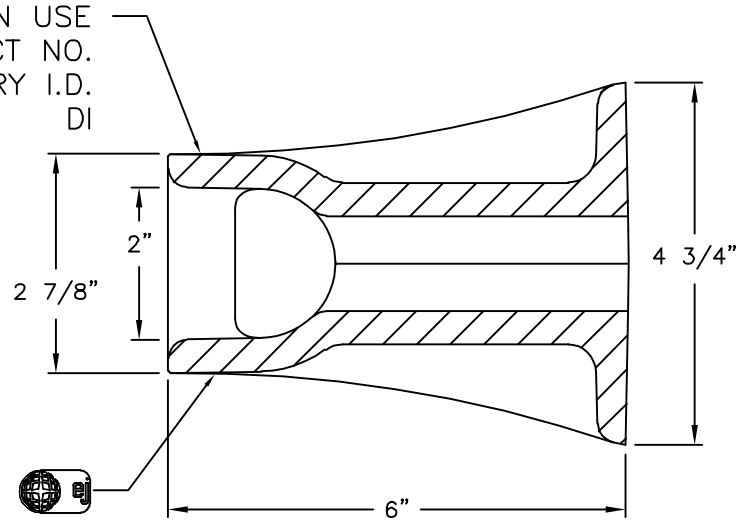


# 5996 Mooring Eye



PLAN VIEW

MADE IN USE  
PRODUCT NO.  
FOUNDRY I.D.  
DI



SECTION

**Product Number**

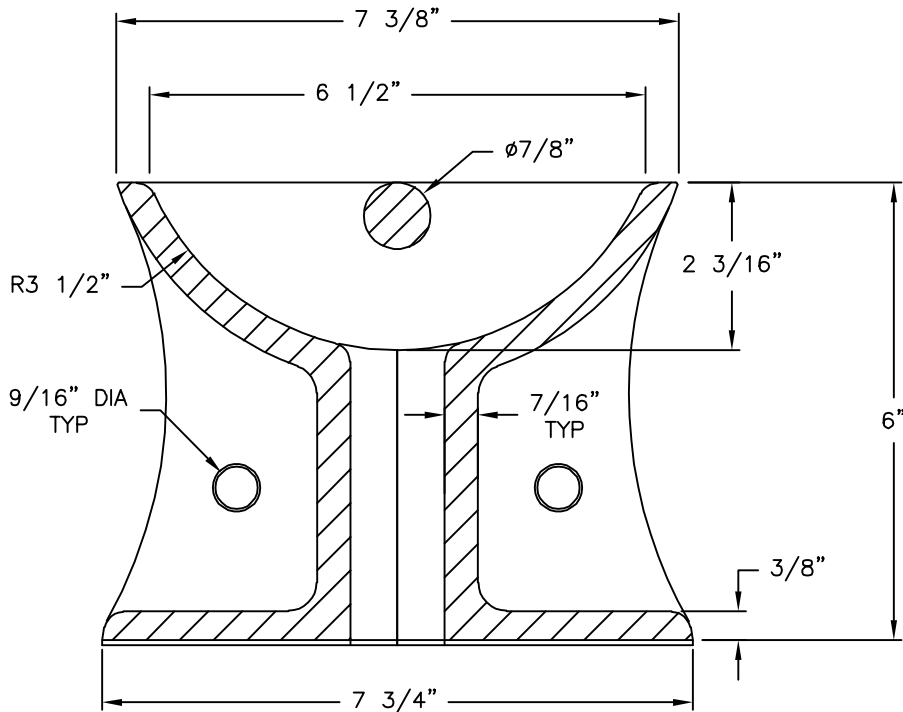
00599600

**Design Features**

- Materials  
Ductile Iron (80-55-06)
- Design Load
- Open Area  
n/a
- Coating  
Undipped
- √ Designates Machined Surface

**Certification**

- ASTM A536
- 
- 
- Country of Origin: USA



SECTION

**Drawing Revision**

8/29/2005 Designer: SMH  
2/7/2023 Revised By: DAE

**Disclaimer**

Weights (lbs./kg) dimensions (inches/mm) and drawings provided for your guidance. We reserve the right to modify specifications without prior notice.

CONFIDENTIAL: This drawing is the property of EJ GROUP, Inc., and embodies confidential information, registered marks, patents, trade secret information, and/or know how that is the property of EJ GROUP, Inc. Copyright © 2011 EJ GROUP, Inc. All rights reserved.

**Contact**

800 626 4653  
ejco.com

Supplied By:  
**TRENCHDRAIN  
SUPPLY**  
877-903-7246  
www.trenchdrainsupply.com